

LUCIDE

GENERAL SPECIFICATIONS



## General

**Dimensions LxWxH :** 65 cm x 65 cm x 170 cm

**Height minimum :** -

**Height maximum :** 170 cm

**Dimensions shade LxWxH :**  $\Phi$ 15 cm x 12cm

**Main material :** Metal

**Ceiling rose material :** -

**Color :** Black

**Style :** Modern

**Shape :** -

**Weight :** 4.3 kg

**Warranty :** 3 years

## Product specifications

**Dimmable :** No

**Light direction :** Downlight

**Adjustable in height :** No

**Directional :** Directional

**Cable :** Yes, Cable On Product

**Cable length :** 130 cm

**Sensor :** Without Sensor

**Control :** Light Switch Control

**IP-Class :** 20

**Electric class :** 3

**Light source including ?:** Yes

**Lamp socket :** -

**Light source number :** 3

**Power requirements :** 220V-240V-50Hz

**Bulb type & maximum wattage :** 3\*3W LED

For more specifications of this product please visit

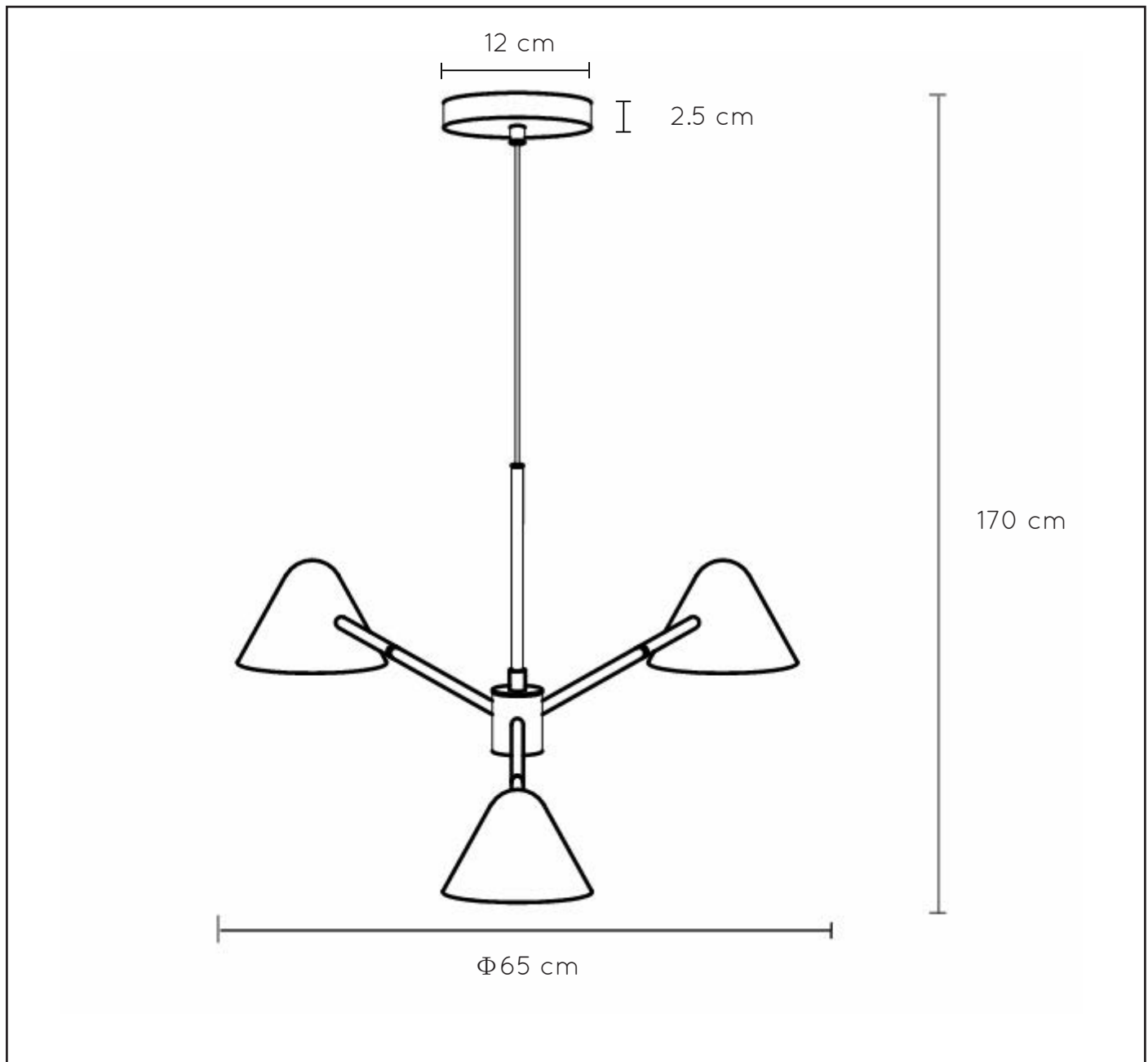
[www.lucide.com](http://www.lucide.com)

LUCIDE

TECHNICAL DRAWING & DIMENSIONS

## DEVON

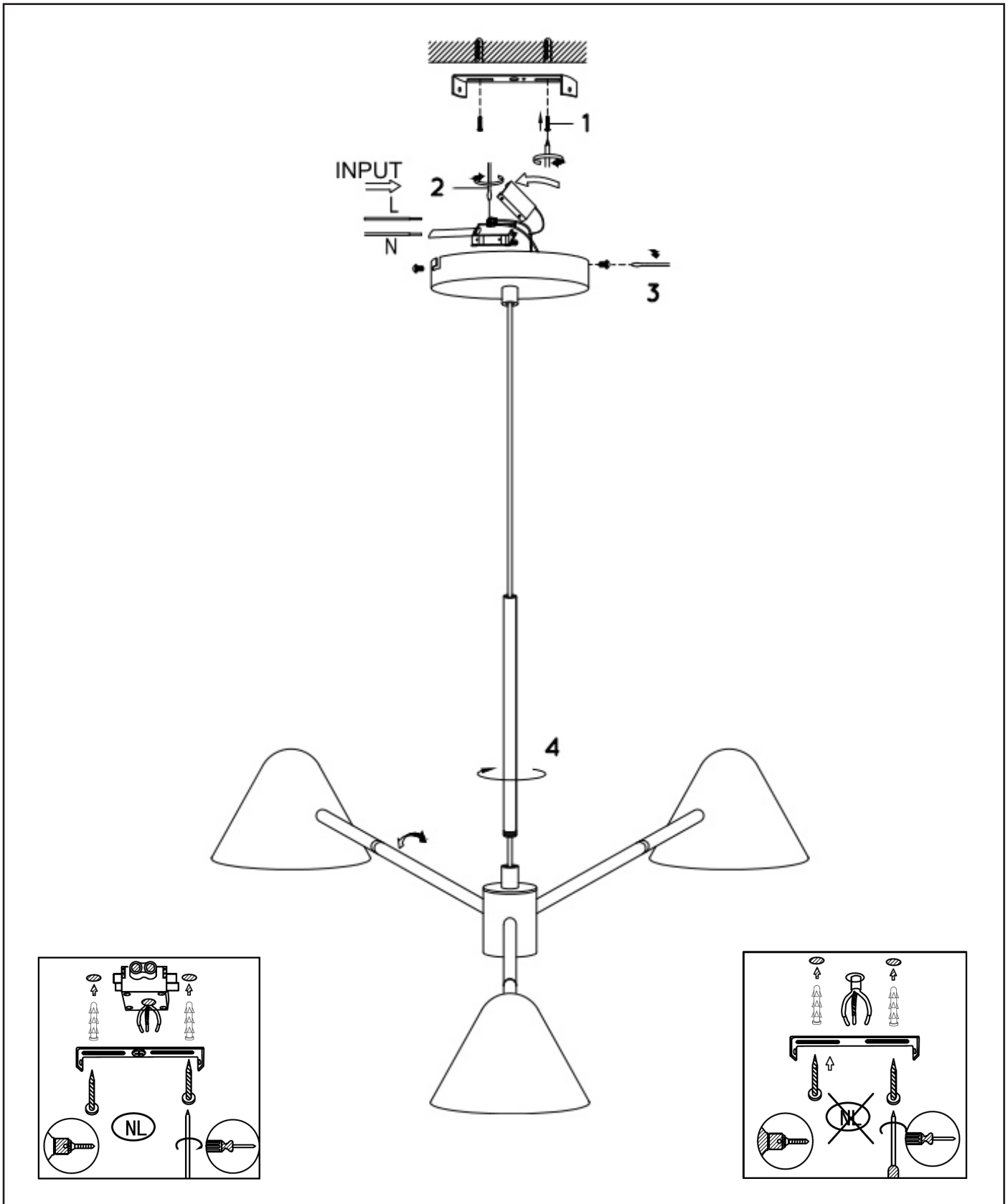
Item number : 20415/15/30  
EAN code : 5411212201812



For more specifications, dimensions please visit  
[www.lucide.com](http://www.lucide.com)

# LUCIDE

## INSTALLATION DRAWING SPECIFICATIONS



Dit product bevat een lichtbron van energie-efficiëntieklasse F  
Ce produit contient une source lumineuse de classe énergétique F  
This product contains a light source of energy efficiency class F  
Dieses Produkt enthält eine Lichtquelle der Energieeffizienzklasse F  
Ten produkt zawiera źródło światła o klasie efektywności energetycznej F